



MPGAMMA

VALORE INOSSIDABILE



BOXES
JUNCTION BOXES
PUSH-BUTTON PANELS



MPGAMMA



STEEL FACTOR

MPGAMMA, with a well-established industrial tradition, is one of the most important manufacturers of stainless steel casings at a national and European level.

Knowledge and **ongoing learning**, factors that are felt and experienced throughout the day, to ensure and enhance our commitment, to look beyond borders.

Our **continuous research** and **constant focus** on new production technologies are reflected in the manufacturing of each individual product.

The perfect interplay between investments, technology and experience creates a quality product.

Quality certifications are essential to provide maximum safety to our customers.

Investments, corporate and **product certifications** are the trademark of a well-organised and solid company.

All our production and logistics processes have one goal: **balance**.



QUALITY SERVICE

- Product customisation, drilling and pre-processing.
- Special products according to design.
- High flexibility.
- Fast delivery.
- Wide stock availability.
- Direct distribution throughout the country and abroad.
- We can meet any customer requirement.



QUALITY PRODUCTS

- Stainless steel AISI 304L DIN 1.4307 EN X 2 CrNi 18-09
- AISI 316L DIN 1.4404 EN X 2 CrNiMo 17-12-2.
- High-finish TIG, MIG, CMT welding.
- Welding process qualified in accordance with 15614-1:2012 WPQR (Welding Procedure Qualification Record).
- Accessories entirely made of stainless steel.
- Scratch-proof protection of the sheet metal and protective packaging.
- Compliance with the latest hygiene guidelines in the food industry.



QUALITY ORGANISATION

- Production in accordance with international UNI EN ISO 9001 standards.
- Total quality process management.
- Qualification of personnel.
- Broad and flexible production programme.
- Fully automated manufacturing systems.
- Cutting-edge production technology.
- Qualified welding personnel in accordance with UNI EN ISO 14732:2013 and UNI EN ISO 9606-1:2013.



INDEX

PRODUCTS

- 4** | **BOX WITH ONE SOLID DOOR**
CPN SERIES
- 6** | **BOX WITH TWO SOLID DOORS**
CPN SERIES
- 8** | **TRANSPARENT DOOR BOX**
CLN SERIES
- 10** | **WATERTIGHT HYGIENIC BOX**
CHD SERIES
- 12** | **SMALL DIMENSIONS BOXES**
CDN SERIES
- 14** | **JUNCTION BOXES**
SDN SERIES
- 16** | **PUSH-BUTTON BOX**
SPN SERIES

ACCESSORIES

- 18-19** | **WALL MOUNTING KIT IP66**
FOR BOXES
FOR HYGIENIC BOXES
- 20-21** | **WIRING PLATE**
WIRING PLATE FOR BOXES
WIRING PLATE FOR SMALL DIMENSIONS BOXES
INCREASED WIRING PLATE FOR CHD BOXES
- 22** | **OVERDOOR IN TRANSPARENT POLYCARBONATE**
- 24-25** | **INNERDOOR KIT**
LOCKS AND KEYS
- 26-27** | **"STANDARD", "VIP" AND "SANITARY" RAIN ROOF**
- 28** | **WATERTIGHT FLANGES FOR BOXES**
OPEN DOOR LOCKING DEVICE
- 29** | **GAS SPRINGS KIT**
PAIR OF DIN BAR SUPPORTING BRACKETS
- 30** | **INTERNAL CONFIGURATION KIT FOR BOXES FOR
MODULAR SWITCH PANELS**
- 32** | **CONDUCTIVE SEALS**
DIAGRAM POCKET



BOX WITH ONE SOLID DOOR CPN SERIES

The solid door box, "CPN" series, are small and medium-sized enclosures, entirely made of stainless steel. They have been created with solidity and modularity features. They are used in different sectors and offer the maximum protection to the installed components.

FEATURES

- Watertight boxes made of AISI 304L (Wnr 1.4307) stainless steel.
- Body with welded and finished corners.
- Door opening at minimum 120° with stainless steel inner hinges, locks with stainless steel double wing insert, welded and finished corners.
- Polyurethane seal with robotised application.
- Galvanized sheet metal wiring plate 2mm thick.
- Stainless steel screws.
- Internal M6x16 stainless steel earthing threaded stud bolts on the door and body of the box.
- Internal M6 threaded spacers on the body for wiring plate fixing.
- FINE external SATIN finish, medium Scotch-Brite type with very low roughness RA < 0.3 µm.
- Sheet metal thickness values of the body and door from 12/10 mm to 20/10 mm depending on the size.
- Rear prearrangement for wall fixing with M6 blind threaded holes.

OPTIONALS UPON REQUEST

- Drilling as per design on body and door.
- Resistant silicone seals, from - 50° C to + 180° C.
- Products made of AISI 316L or other special steels.
- Special dimensions.
- Generic and specific accessories.

CERTIFICATIONS

- **IP66-IP67-IP69K-IK10 protection rating certified by TÜV SÜD in accordance with EN 62208.**
- TYPE 1, 12, 4, 4X (cULus) protection rating in accordance with UL50, 508A, 746C and CSA 22.2 No14,94 (upon request).
- Welding process qualified in accordance with 15614-1:2012 WPQR (Welding Procedure Qualification Record).



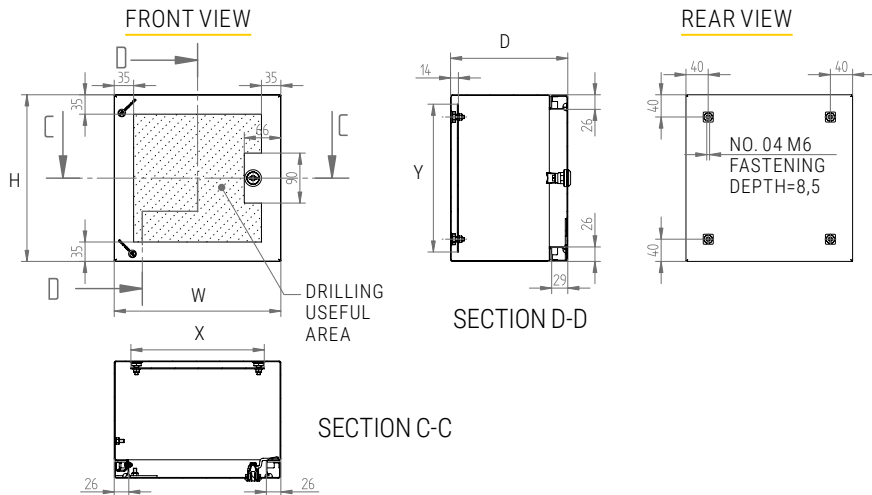
CERTIFICATIONS FOR CLASSIFIED ZONES

- ATEX versions (with polyurethane seal - Amb. Temp. - 30°C/+70°C or silicone - Amb. Temp. - 50°C/+100°C) for use up to GROUP II, cat. 2, ZONE 1.21 only with the application device KIT_ATEX_CPN_1_21U.
- IECEX versions (silicone seal only – Amb. Temp. - 50°C/+100°C) for use up to GROUP II, cat. 2, ZONE 1.21 only with the application device KIT_IECEX_CPN_1_21U.
- ATEX versions (with polyurethane seal – Amb. Temp. - 30°C/+70°C or silicone - Amb. Temp. - 50°C/+100°C) for use up to GROUP II, cat. 3, ZONE 2.22 only with the application device KIT_ATEX_CPN_2_22N.
- IECEX versions (silicone seal only - Amb. Temp. - 50°C/+100°C) for use up to GROUP II, cat. 3, ZONE 2.22 only with the application device KIT_IECEX_CPN_2_22N.

(for information please contact the sales department info@mpgamma.com)

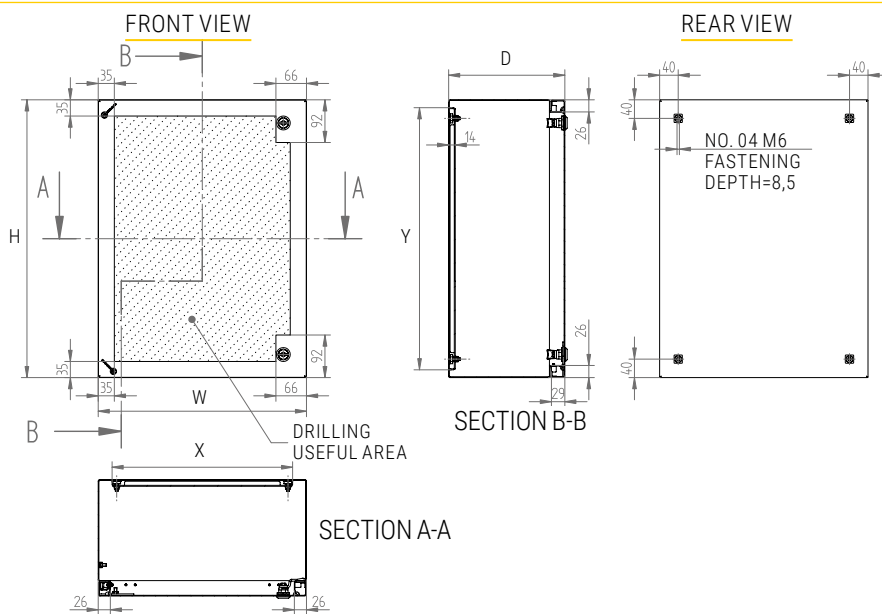
For the ventilation system, see the specific catalog "VENTILATION SYSTEMS AND CABLE PASSAGE SYSTEMS"





AVAILABLE ACCESSORIES

VERSION WITH 1 CLOSING POINT



VERSION WITH 2 CLOSING POINTS

Code Art.	External dimensions			Wiring plate		Features		
	W	H	D	X	Y	Point of closure No.	Fixing points No.	Hinges No.
CPN303021	300	300	210	243	266	1	4	2
CPN303821	300	380	210	243	346	1	4	2
CPN304521	300	450	210	243	416	2	4	2
CPN383021	380	300	210	346	240	1	4	2
CPN383821	380	380	210	323	346	1	4	2
CPN386021	380	600	210	323	566	2	4	2
CPN405021	400	500	210	343	466	2	4	2
CPN453021	450	300	210	416	240	1	4	2
CPN454521	450	450	210	393	416	2	4	2
CPN454525	450	450	250	393	416	2	4	2
CPN456021	450	600	210	393	566	2	4	2
CPN456025	450	600	250	393	566	2	4	2
CPN507025	500	700	250	443	666	2	4	2
CPN603821	600	380	210	566	320	1	4	2
CPN604525	600	450	250	566	390	2	4	2

Code Art.	External dimensions			Wiring plate		Features		
	W	H	D	X	Y	Point of closure No.	Fixing points No.	Hinges No.
CPN606021	600	600	210	543	566	2	4	2
CPN606025	600	600	250	543	566	2	4	2
CPN606030	600	600	300	543	566	2	4	2
CPN607521	600	750	210	543	716	2	4	2
CPN607525	600	750	250	543	716	2	4	3
CPN607530	600	750	300	543	716	2	4	2
CPN609030	600	900	300	543	866	2	4	3
CPN6012030	600	1200	300	543	1166	2	6	3
CPN757530	750	750	300	693	716	2	4	3
CPN7510030	750	1000	300	693	966	2	6	3
CPN8012030	800	1200	300	743	1166	2	6	3
CPN906030	900	600	300	866	540	2	6	3
CPN10010030	1000	1000	300	943	966	2	6	3
CPN10012030	1000	1200	300	943	1166	2	6	3



▶ **BOX WITH TWO SOLID DOORS** **CPN SERIES**

The box with two solid doors, "CPN" series, are large enclosures, entirely made of stainless steel. They have been created with solidity and modularity features. They are used in different sectors and offer the maximum protection to the installed components

The two hinged doors guarantee a hermetic seal over time.



FEATURES

- Watertight boxes made of AISI 304L (Wnr 1.4307) stainless steel.
- Body with welded and finished corners.
- N. 02 swing doors opening at minimum 120° with stainless steel inner hinges, locks with stainless steel double wing insert ;opening priority right hand side
- Polyurethane seal with robotised application.
- Galvanized sheet metal wiring plate 2mm thick.
- Stainless steel screws.
- Internal M6x16 stainless steel earthing threaded stud bolts on the door and body of the box.
- Internal M6 threaded spacers on the body for wiring plate fixing.
- FINE external SATIN finish, medium Scotch-Brite type with very low roughness RA < 0.3 µm
- Sheet metal thickness values of the body and door from 12/10 mm to 20/10 mm depending on the size.
- Rear prearrangement for wall fixing with M6 blind threaded holes.

OPTIONALS UPON REQUEST

- Drilling as per design on body and door.
- Resistant silicone seals, from - 50° C to + 180° C.
- Products made of AISI 316L or other special steels.
- Special dimensions.
- Generic and specific accessories
- Increased degree of protection in the version on request with removable central upright

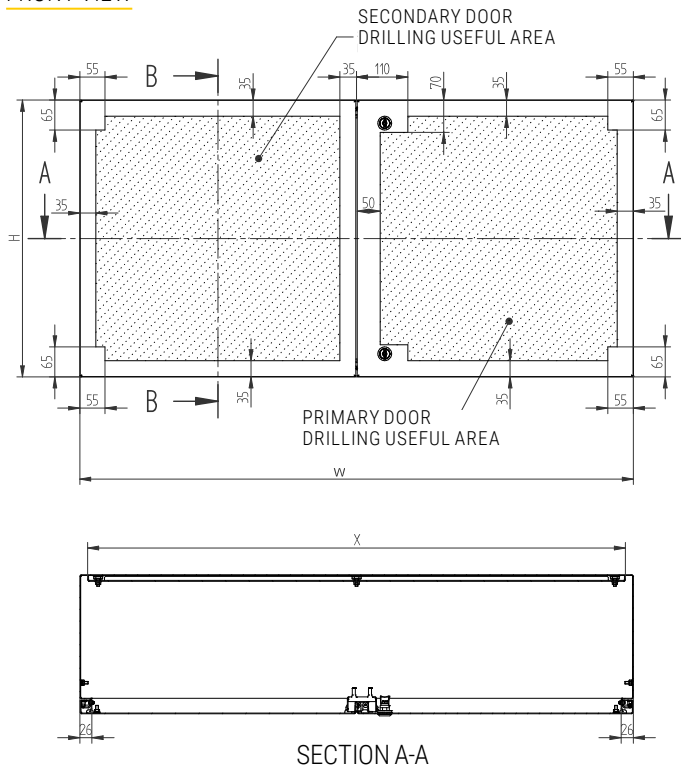
CERTIFICATIONS

- **IP66-IK10 protection rating certified in accordance with EN 62208**
- TYPE 1, 12, 4, 4X (cULus) protection rating in accordance with UL50,508A, 746C and CSA 22.2 No14,94 (upon request)
- Welding process qualified in accordance with 15614-1:2012 WPQR (Welding Procedure Qualification Record).

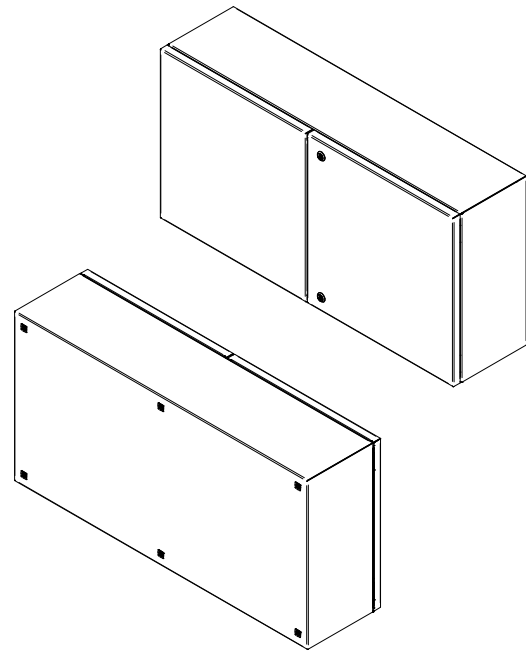
For the ventilation system, see the specific catalog "VENTILATION SYSTEMS AND CABLE PASSAGE SYSTEMS"



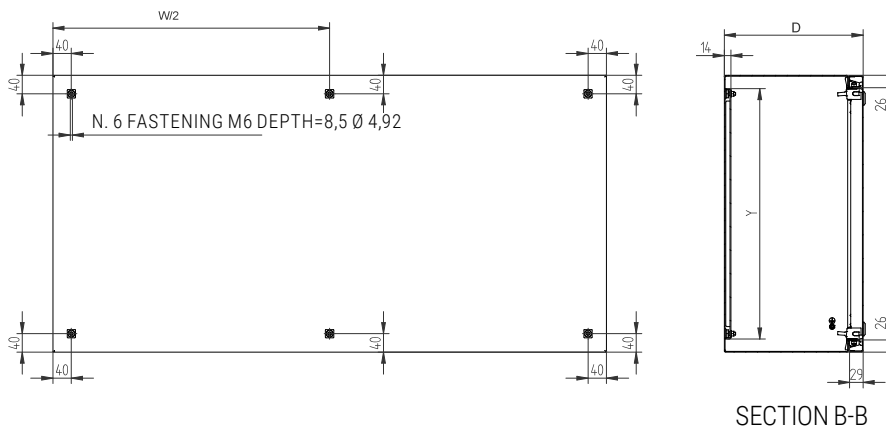
FRONT VIEW



AVAILABLE ACCESSORIES



REAR VIEW



STANDARD POSITION OF PRIMARY DOOR ON RIGHT

Code Art.	External dimensions			Wiring plate		Features		
	W	H	D	X	Y	Point of closure No.	Fixing points No.	Hinges No.
CPN1206030_2P	1200	600	300	1166	543	2	6	2
CPN1208030_2P	1200	800	300	1166	743	2	6	3
CPN10010030_2P	1000	1000	300	943	966	2	6	3
CPN10012030_2P	1000	1200	300	943	1166	2	6	3



▶ TRANSPARENT DOOR BOX CLN SERIES

The transparent door box, "CLN" series, are small and medium-sized enclosures, entirely made of stainless steel. They have been created with solidity and modularity features. They are used in different sectors and offer the maximum protection to the installed components.



FEATURES

- Watertight boxes made of AISI 304L (Wnr 1.4307) stainless steel.
- Body with welded and finished corners.
- Door opening at minimum 120° with transparent shockproof polycarbonate door.
- External door with stainless steel inner hinges, locks with stainless steel double wing insert, welded and finished corners.
- Polyurethane seal with robotised application.
- Galvanized sheet metal wiring plate 20/10 thick.
- Stainless steel screws.
- Internal M6x16 stainless steel earthing threaded studs bolts on the door and body of the box.
- Internal M6 threaded spacers on the body for wiring plate fixing.
- FINE external SATIN finish, medium Scotch-Brite type with very low roughness RA < 0.3 µm.
- Sheet metal thickness values of the body and door from 12/10 mm to 20/10 mm depending on the size.
- Prearrangement for inner door mounting kit (art. KCPN ordered separately).
- Prearrangement for modular switches mounting kit (art. CLNMOD ordered separately).
- Rear prearrangement for wall fixing with M6 blind threaded holes.

OPTIONALS UPON REQUEST

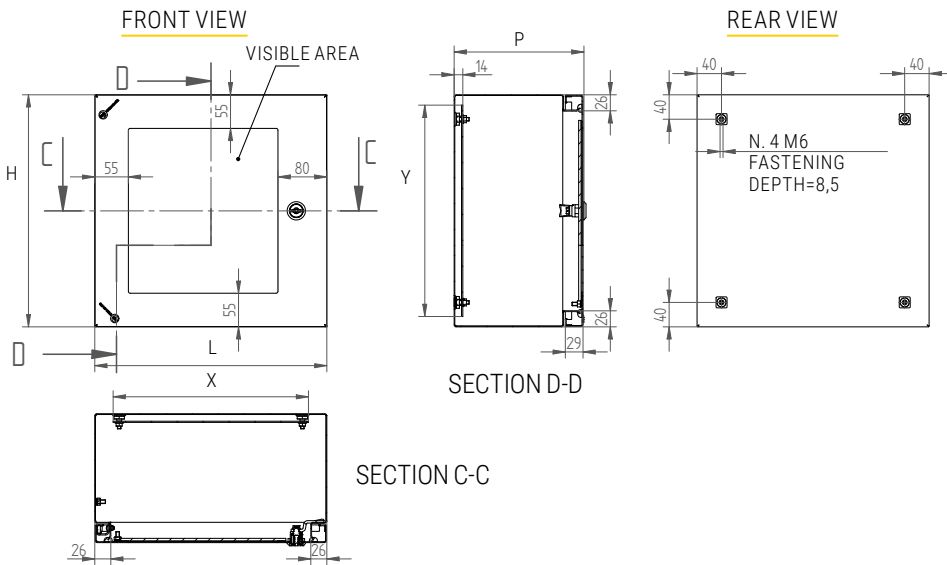
- Drilling as per design.
- Possibility of laminated glass window instead of polycarbonate panel.
- Resistant silicone seals, from - 50° C to + 180° C.
- Products made of AISI 316L or other special steels.
- Special dimensions.
- Generic and specific accessories.

CERTIFICATIONS

- **IP66-IP69K-IK10 protection rating certified by TÜV SÜD in accordance with EN 62208.**
- TYPE 1, 12, 4, 4X (cULus) protection rating in accordance with UL50, 508A, 746C and CSA 22.2 No14,94 (upon request) for 1-door boxes.
- Suitable for use in potentially explosive atmospheres (Group -II-, Category -3-, Zone -22,2-) with the application of the accessory KIT-ATEX-CLN-2-22 and the laminated glass window.
- Welding process qualified in accordance with 15614-1:2012 WPQR (Welding Procedure Qualification Record).

For the ventilation system, see the specific catalog "VENTILATION SYSTEMS AND CABLE PASSAGE SYSTEMS"

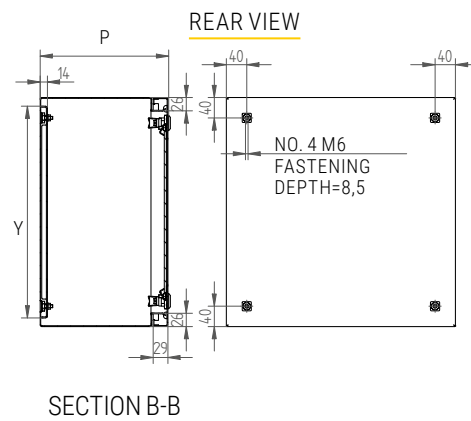
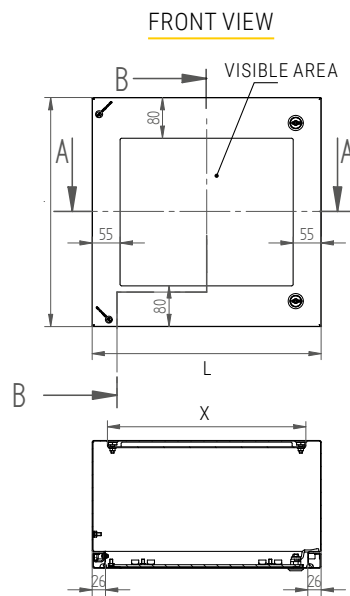
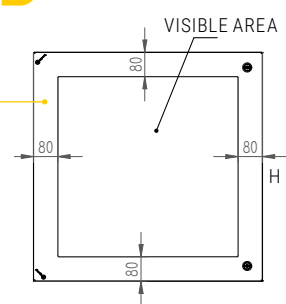




AVAILABLE ACCESSORIES

VERSION WITH 1 CLOSING POINT

1. MODELS FRONT VIEW***



VERSION WITH 2 CLOSING POINTS

Code Art.	External dimensions			Wiring plate		Features		
	W	H	D	X	Y	Point of closure No.	Fixing points No.	Hinges No.
CLN303021	300	300	210	243	266	1	4	2
CLN303821	300	380	210	243	346	1	4	2
CLN304521	300	450	210	243	416	2	4	2
CLN383021	380	300	210	346	240	1	4	2
CLN383821	380	380	210	323	346	1	4	2
CLN386021	380	600	210	323	566	2	4	2
CLN405021	400	500	210	343	466	2	4	2
CLN453021	450	300	210	416	240	1	4	2
CLN454521	450	450	210	393	416	2	4	2
CLN454525	450	450	250	393	416	2	4	2
CLN456021	450	600	210	393	566	2	4	2
CLN456025	450	600	250	393	566	2	4	2
CLN507025	500	700	250	443	666	2	4	2
CLN603821	600	380	210	566	320	1	4	2

Code Art.	External dimensions			Wiring plate		Features		
	W	H	D	X	Y	Point of closure No.	Fixing points No.	Hinges No.
CLN604525	600	450	250	566	390	2	4	2
CLN606021	600	600	210	543	566	2	4	2
CLN606025	600	600	250	543	566	2	4	2
CLN606030	600	600	300	543	566	2	4	2
CLN607521	600	750	210	543	716	2	4	2
CLN607525	600	750	250	543	716	2	4	2
CLN607530	600	750	300	543	716	2	4	2
CLN609030***	600	900	300	543	866	2	4	3
CLN6012030***	600	1200	300	543	1166	2	6	3
CLN757530***	750	750	300	693	716	2	4	3
CLN7510030***	750	1000	300	693	966	2	6	3
CLN8012030***	800	1200	300	743	1166	2	6	3
CLN906030***	900	600	300	866	540	2	6	3

1. Models front view ***



▶ WATERTIGHT HYGIENIC BOXES

CHD SERIES

CHD box line at increased hygiene completely made of stainless steel AISI 304L and fully sealed. This product was studied in particular to meet those high hygienic standards and expectations, which are normally required in application fields like food & beverage and pharmaceutical industries. Its design allows the maximum cleaning access, insuring the highest features about hygiene and protection degrees IP66-IP69K IK10.

The CHD can be made according to specific customer's special requirements and completed with a wide range of accessories. They meet the technical requirements of EHEDG and are resistant to cleaning agents used for sanitizing in the food sector.



FEATURES

- Made of AISI 304L (Wnr 1.4307) stainless steel.
- Sloped roof made of integrated panel at 30° forward.
- FINE external SATIN finish, medium Scotch-Brite type with very low roughness RA < 0.3 µm
- Without inserts/holes on the back (for wall mounting see page 19)
- Door with sloped edges and completely internal hinges with opening at 120° on the left-hand side (reversible).
- Polyurethane seal with robotised application.
- Hygienic locks (1 or 2, according to the size).
- Galvanized sheet metal wiring plate
- Internal M6 stainless steel earthing threaded studs bolts on the door and body of the box.
- Compliant with directives FDA 21 CFR 177.2600

OPTIONALS UPON REQUEST

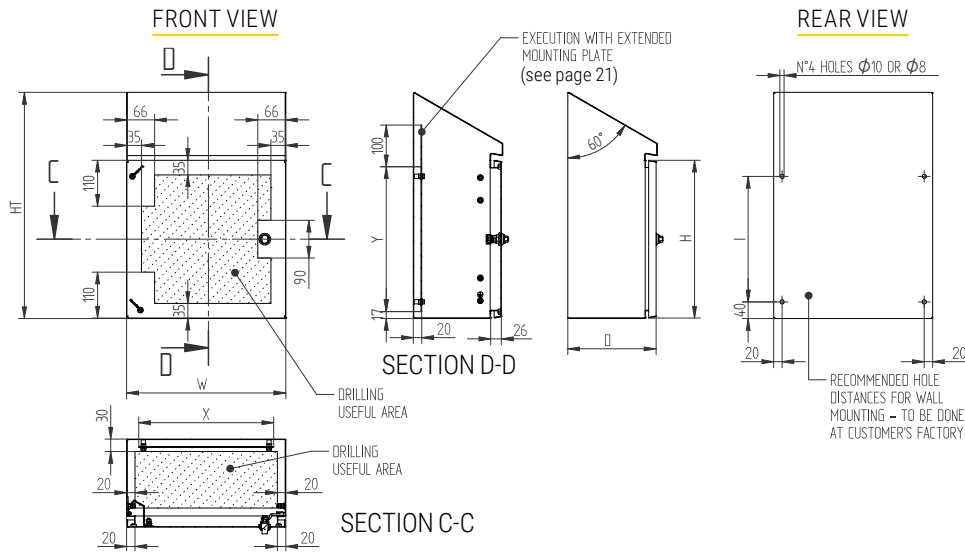
- Drilling as per design
- Resistant silicone seals, from - 50° C to + 180° C.
- Products made of AISI 316L
- Special dimensions.
- Galvanized sheet metal wiring plate increased in H by 100 mm (see page 21)

CERTIFICATIONS

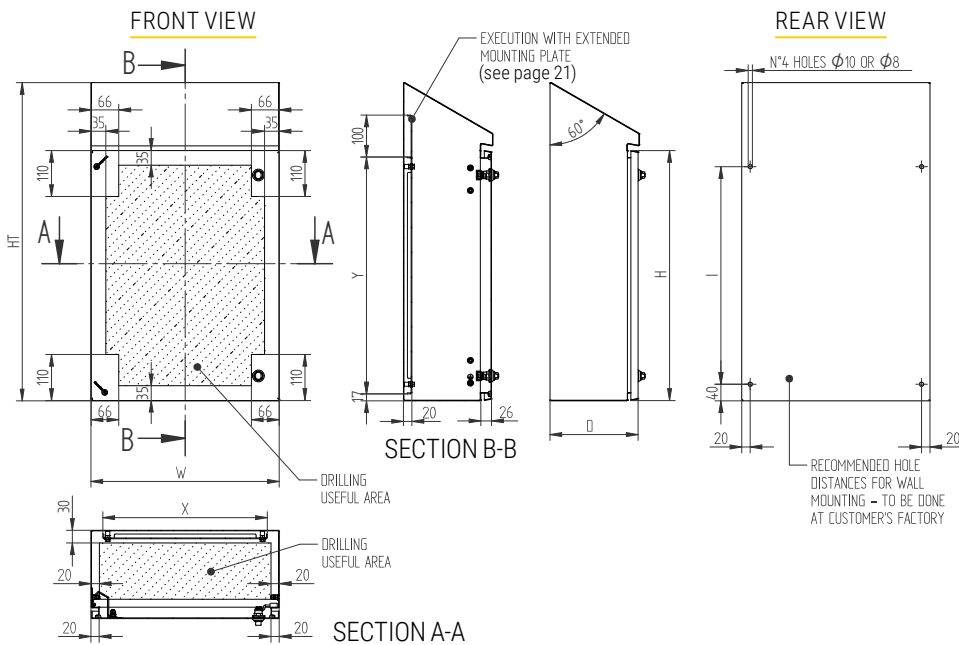
- **IP66-IP69K-IK10 protection rating certified by TÜV SÜD in accordance with EN 62208.**
- TYPE 1, 12, 4, 4X (cULus) protection rating in accordance with UL50,508A, 746C and CSA 22.2 No14,94 (upon request)
- Suitable for use in potentially explosive atmospheres (Group -II-, Category -3-, Zone -22,2-) exclusively with the application of the accessory KIT- ATEX-CHD-2-22
- Welding process qualified in accordance with 15614-1:2012 WPQR (Welding Procedure Qualification Record).

For the ventilation system, see the specific catalog "VENTILATION SYSTEMS AND CABLE PASSAGE SYSTEMS"



AVAILABLE ACCESSORIES


VERSION WITH 1 CLOSING POINT



VERSION WITH 2 CLOSING POINTS

Art. Code	External dimensions			Wiring plate			Features			
	W	H	D	HT	X	Y	Point of closure No.	Fixing points No.	Hinges No.	Fixing distance (l)
CHD253021	250	300	210	460	193	266	1	4	2	220
CHD383821	380	380	210	540	323	346	1	4	2	300
CHD386021	380	600	210	760	323	566	2	4	2	520
CHD454521	450	450	210	610	393	416	2	4	2	370
CHD456021	450	600	210	760	393	566	2	4	2	520
CHD606021	600	600	210	760	543	566	2	4	2	520
CHD604525	600	450	250	635	566	393	2	4	2	370
CHD606025	600	600	250	785	543	566	2	4	2	520
CHD806030	800	600	300	815	743	566	2	6	3	520
CHD808030	800	800	300	1015	743	766	2	6	3	720
CHD8010030	800	1000	300	1215	743	966	2	6	3	920
CHD8012030	800	1200	300	1415	743	1166	2	6	3	1120



SMALL DIMENSIONS BOXES

CDN SERIES

The CDN series is the right technical and application compromise between the CPN and the SDN boxes.

They feature a sturdy welded body with blind back inserts for wall fixing. The door is equipped with miniaturized hinges in precision cast stainless steel and captive screws for closure.

They are equipped with earth bolts both on the body and on the door.



FEATURES

- Watertight boxes made of AISI 304L (Wnr 1.4307) stainless steel.
- Door opening at minimum 120° with stainless steel inner hinges, locks with stainless steel double wing insert, welded and finished corners
- Polyurethane seal with robotised application.
- Rear prearrangement for wall fixing
- Wiring plate to be ordered separately
- FINE external SATIN finish, medium Scotch-Brite type with very low roughness RA < 0.3 µm
- Internal M5 stainless steel earthing threaded stud bolts on the door and body of the box.

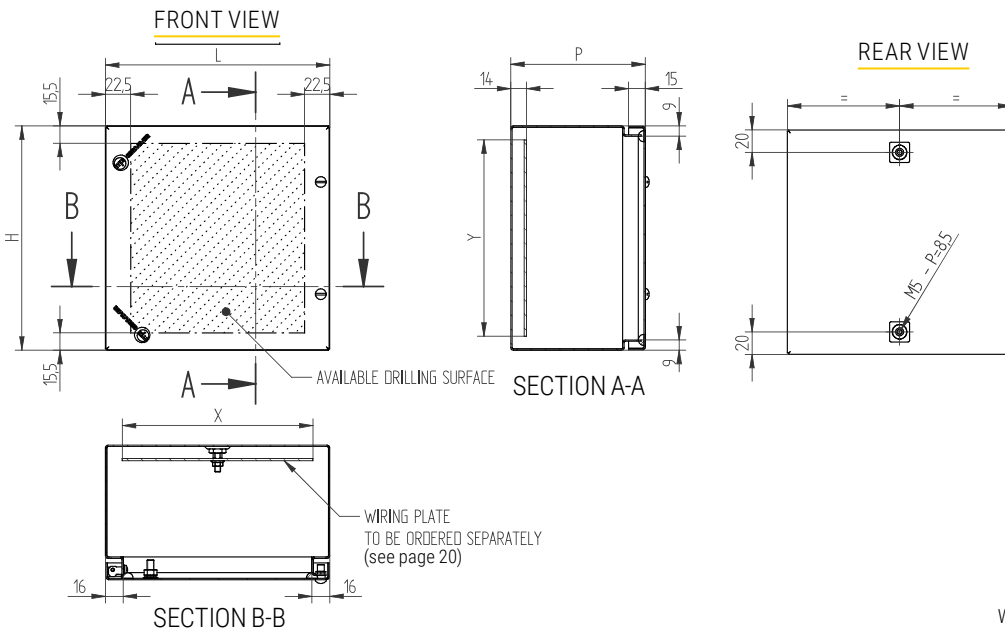
OPTIONALS UPON REQUEST

- Drilling as per design on body and door
- Resistant silicone seals, from - 50° C to + 180° C.
- Products made of AISI 316L
- Special dimensions.

CERTIFICATIONS

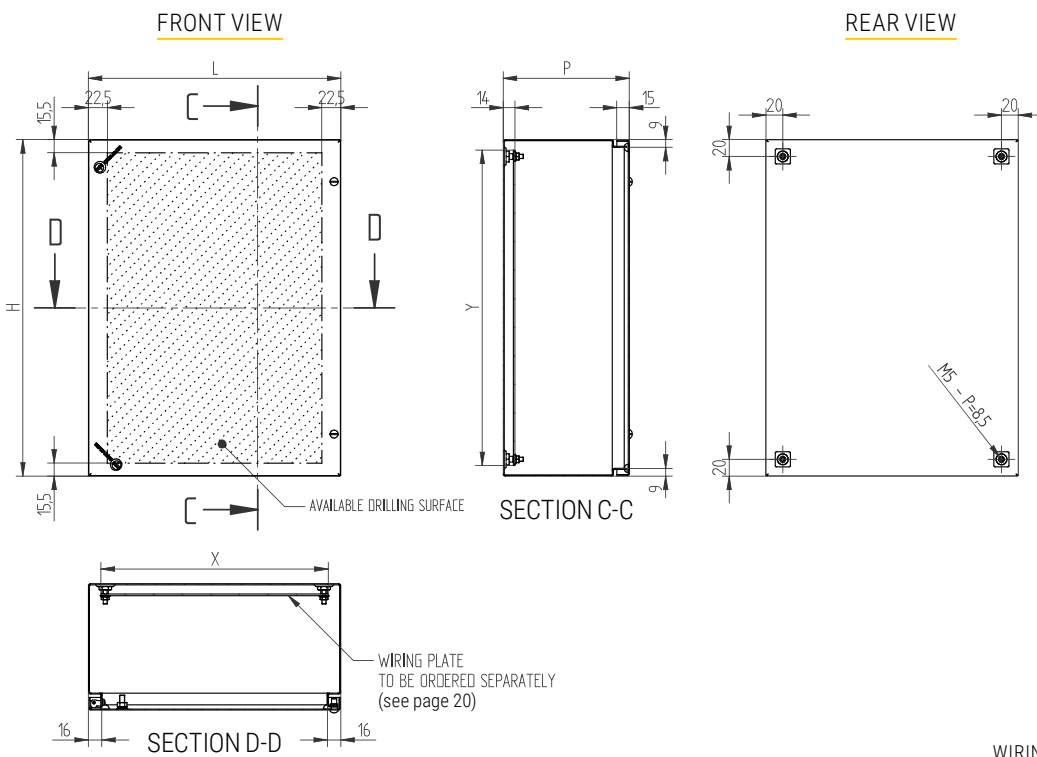
- **IP66-IP69K-IK10 protection rating certified by TÜV SÜD in accordance with EN 62208.**
- TYPE 1, 12, 4, 4X (cULus) protection rating in accordance with UL50,508A, 746C and CSA 22.2 No14,94 (upon request)
- Suitable for use in potentially explosive atmospheres (Group -II-, Category -3-, Zone -22,2-) exclusively with the application of the accessory KIT- ATEX-CDN-2-22
- Welding process qualified in accordance with 15614-1:2012 WPQR (Welding Procedure Qualification Record).





AVAILABLE ACCESSORIES

WIRING PLATE VERSION WITH 2 FIXING POINTS



WIRING PLATE VERSION WITH 4 FIXING POINTS

Art. Code	External dimensions			Wiring plate		Features		
	W	H	D	X	Y	Point of closure No.	Fixing points No.	Hinges No.
CDN202012	200	200	120	170	175	2	2	2
CDN203012	200	300	120	170	275	2	2	2
CDN204012	200	400	120	170	375	2	2	2
CDN252512	250	250	120	220	225	2	4	2
CDN253012	250	300	120	220	275	2	4	2
CDN254012	250	400	120	220	375	2	4	2
CDN303015	300	300	150	270	275	2	4	2
CDN304015	300	400	150	270	375	2	4	2



JUNCTION BOXES

SDN SERIES

SDN junction boxes are entirely made of stainless steel. They have been created to meet request for practicality, installation and cleaning, for compliance with standards for hygiene.

FEATURES

- Watertight boxes made of AISI 304L (Wnr 1.4307) stainless steel.
- Body with welded and finished corners.
- Cover with welded and finished corners and screwed to the box body.
- Polyurethane seal with robotised application.
- M4 S/S leak-proof cover-body's clamping screws.
- Internal M5x15 stainless steel earthing threaded stud bolts on the cover.
- Internal M5 threaded spacers on the body for wiring plate fixing or DIN bar fixing.
- FINE external SATIN finish, medium Scotch-Brite type with very low roughness RA < 0.3 µm.
- Sheet metal thickness of the body and cover from 10/10 mm to 12/10 mm depending on the size.
- Rear prearrangement for wall fixing with M5 blind threaded holes.

OPTIONALS UPON REQUEST

- Drilling as per design on body and cover.
- Resistant silicone seals, from -50°C to + 180°C.
- Products made of AISI 316L or other special steels.
- Special dimensions.
- Generic and specific accessories.

CERTIFICATIONS

- **IP66-IP67-IP69K-IK10 protection rating certified by TÜV SUD in accordance with EN 62208.**
- TYPE 1, 12, 4, 4X (cULus) protection rating in accordance with UL50, 508A, 746C and CSA 22.2 No14,94 (upon request).
- Welding process qualified in accordance with 15614-1:2012 WPQR (Welding Procedure Qualification Record).

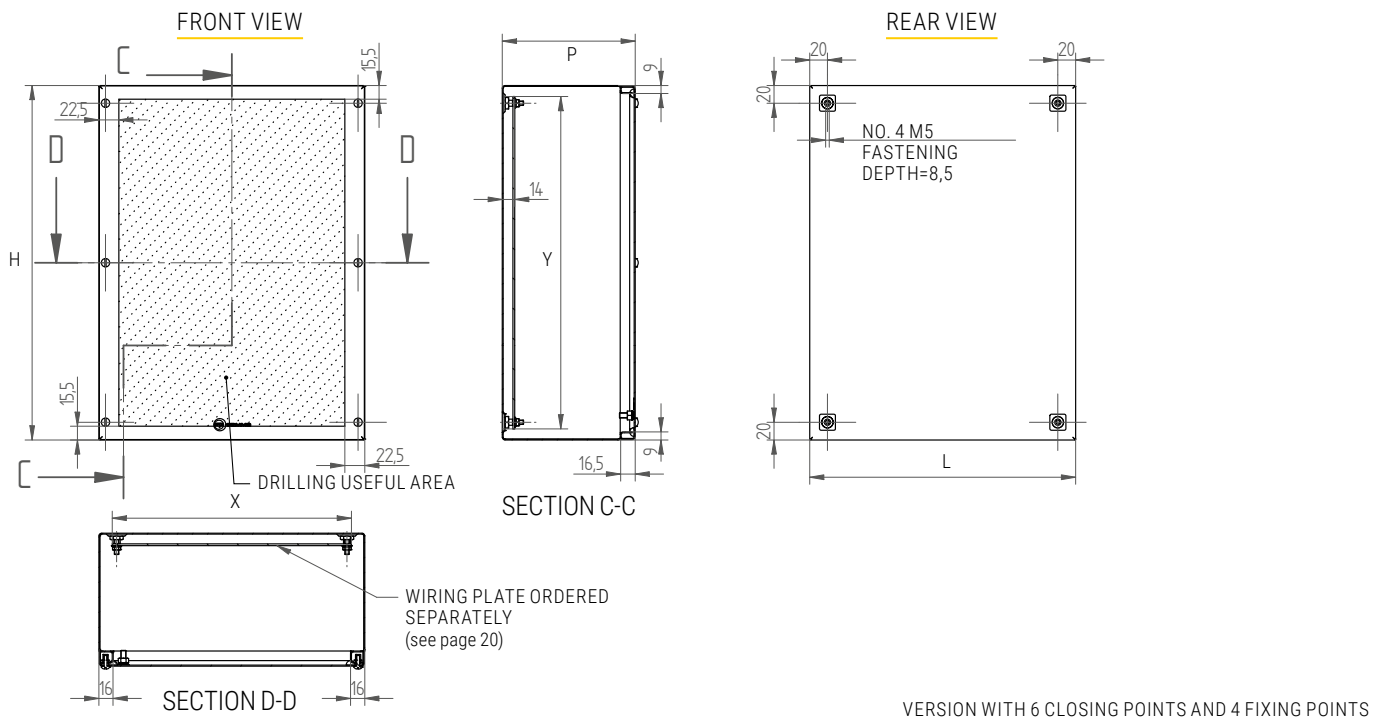
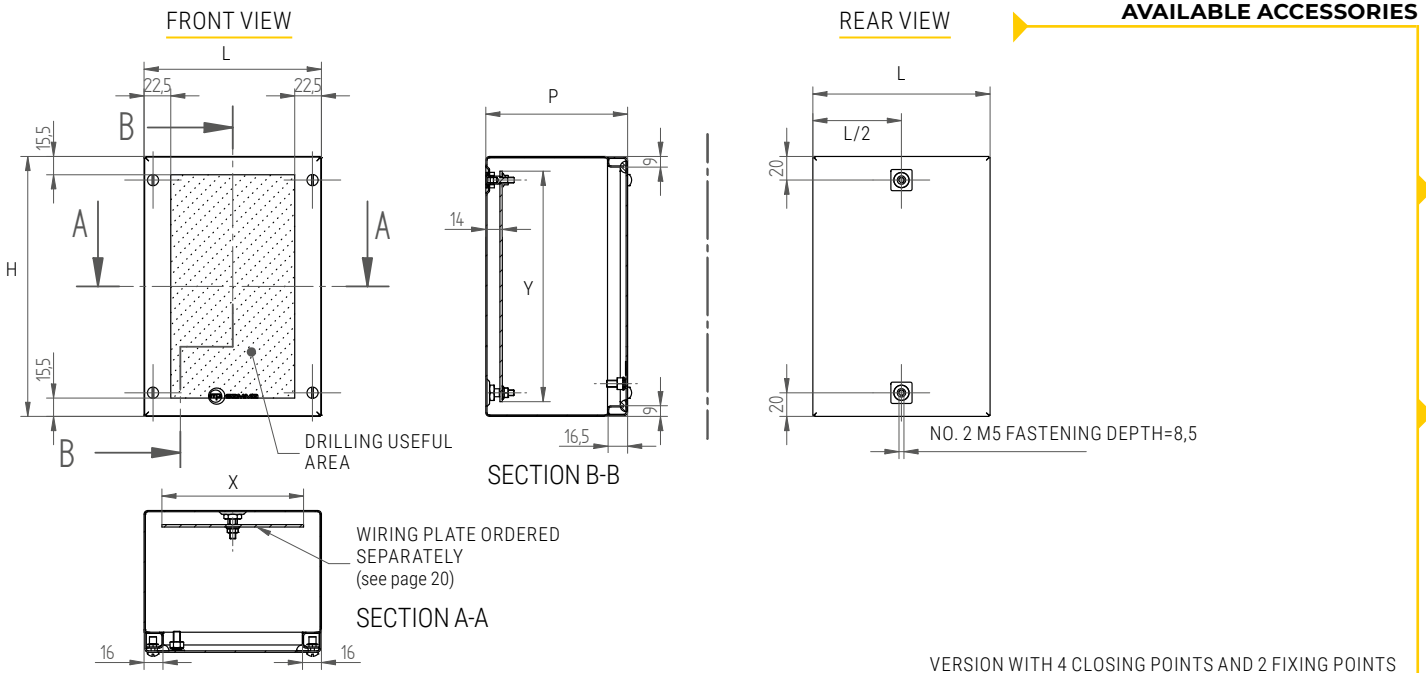


CERTIFICATIONS FOR CLASSIFIED ZONES

- ATEX versions (with polyurethane seal - Amb. Temp. - 30°C/+70°C or silicone - Amb. Temp. - 50°C/+100°C) for use up to GROUP II, cat. 2, ZONE 1.21 only with the application device KIT_ATEX_CPN_1_21U.
- IECEX versions (silicone seal only – Amb. Temp. - 50°C/+100°C) for use up to GROUP II, cat. 2, ZONE 1.21 only with the application device KIT_IECEX_CPN_1_21U.
- ATEX versions (with polyurethane seal – Amb. Temp. - 30°C/+70°C or silicone - Amb. Temp. - 50°C/+100°C) for use up to GROUP II, cat. 3, ZONE 2.22 only with the application device KIT_ATEX_CPN_2_22N.
- IECEX versions (silicone seal only - Amb. Temp. - 50°C/+100°C) for use up to GROUP II, cat. 3, ZONE 2.22 only with the application device KIT_IECEX_CPN_2_22N.

(for information please contact the sales department info@mpgamma.com)





Art. Code	External dimensions			Wiring plate		Features	
	W	H	D	X	Y	Point of closure No.	No. Holes for wall fixing
SDN997	90	90	75	-	-	4	2
SDN10109	100	100	90	-	-	4	2
SDN10169	100	160	90	70	135	4	2
SDN10229	100	220	90	70	195	4	2
SDN151612	150	160	120	120	135	4	2
SDN152212	150	220	120	120	195	4	2
SDN152812	150	280	120	120	255	4	2

Art. Code	External dimensions			Wiring plate		Features	
	W	H	D	X	Y	Point of closure No.	No. Holes for wall fixing
SDN202212	200	220	120	170	195	4	2
SDN202812	200	280	120	170	255	4	2
SDN252812	250	280	120	220	255	4	2
SDN253415	250	340	150	220	315	4	2
SDN303415	300	340	150	270	315	4	2
SDN304015	300	400	150	270	375	6	4
SDN404015	400	400	150	370	375	6	4



PUSH-BUTTON PANELS

SPN SERIES

Push-button panels "SPN" series entirely made of stainless steel. To meet demands for practicality, installation and cleaning, for compliance with standards for hygiene.



FEATURES

- Watertight boxes made of AISI 304L (Wnr 1.4307) stainless steel.
- Body with welded and finished corners.
- Cover with welded and finished corners and screwed to the box body.
- Ø 22,5 mm drillings on the cover for push-button panel mounting.
- Polyurethane seal with robotised application.
- M4 S/S leak-proof cover-body's clamping screws.
- Internal M5x15 stainless steel earthing threaded stud bolts on the cover.
- Internal M5 threaded spacers on the body for wiring plate fixing or DIN bar fixing.
- FINE external SATIN finish, medium Scotch-Brite type with very low roughness RA < 0.3 µm.
- Sheet metal thickness of the body and cover from 10/10 mm to 12/10 mm depending on the size.
- Rear prearrangement for wall fixing with M5 blind threaded holes.

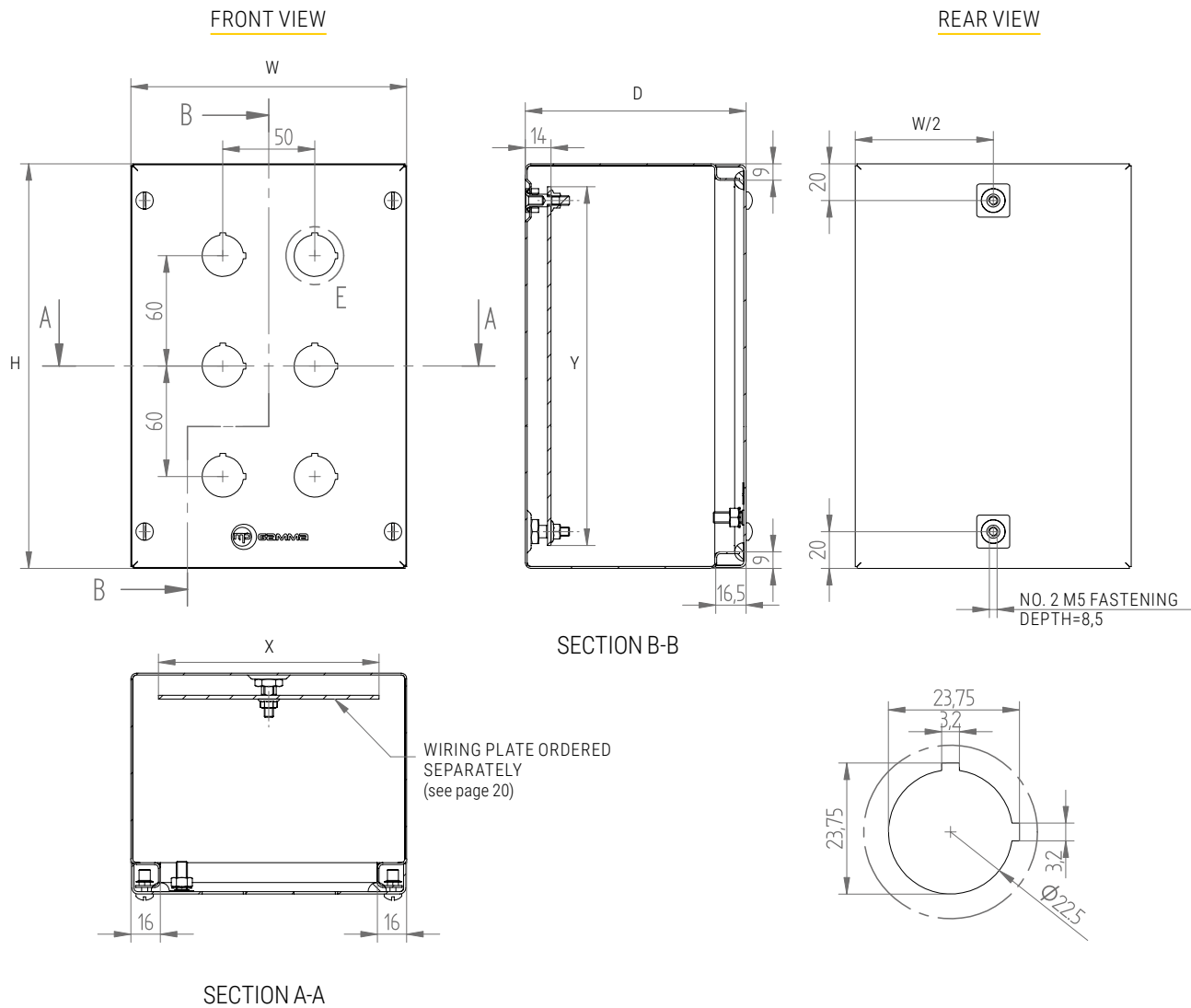
OPTIONALS UPON REQUEST

- Drilling as per design on body and cover.
- Resistant silicone seals, from - 50° C to + 180° C.
- Products made with AISI 316L or other special steels.
- Special dimensions.
- Generic and specific accessories.

CERTIFICATIONS

- **IP66-IP67-IP69K-IK10 protection rating certified by TÜV SUD in accordance with EN 62208** (in combination with equipments with equivalent certification).
- TYPE 1, 12, 4, 4X (cULus) protection rating in accordance with UL50, 508A, 746C and CSA 22.2 No 14,94 (upon request).
- Suitable for use in potentially explosive atmospheres (Group -II-, Category -3-, Zone -22,2-) exclusively with the application of the accessory KIT- ATEX-SPN-2-22 (in combination with equipments with equivalent certification).
- Welding process qualified in accordance with 15614-1:2012 WPQR (Welding Procedure Qualification Record).



AVAILABLE ACCESSORIES


Art. Code	External dimensions			Wiring plate		Features		
	W	H	D	X	Y	Closing points No.	No. Holes for wall fixing	Holes
SPN997	90	90	75	-	-	2	2	1
SPN10109	100	100	90	-	-	4	2	1
SPN10169	100	160	90	70	135	4	2	2
SPN10229	100	220	90	70	195	4	2	3
SPN151612	150	160	120	120	135	4	2	4
SPN152212	150	220	120	120	195	4	2	6



ACCESSORIES

WALL MOUNTING KIT

CPN CLN SDN SPN CDN CHD

All standard boxes of CPN, CLN, CDN, SDN and SPN series have drillings on the rear panel for wall mounting, this to facilitate the installation.

Thanks to an innovative system, the aesthetics and the protection degree remain unchanged.

For the boxes of the CHD series, the drilling are borne by the customer (drilling pattern will be supplied).



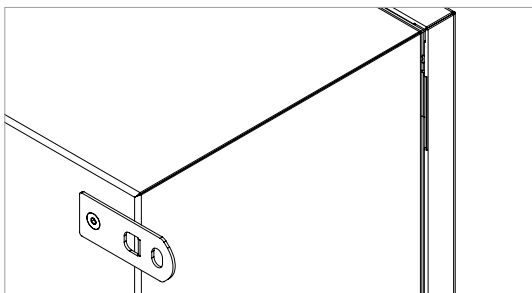
WALL MOUNTING KIT FOR BOXES

CPN CLN

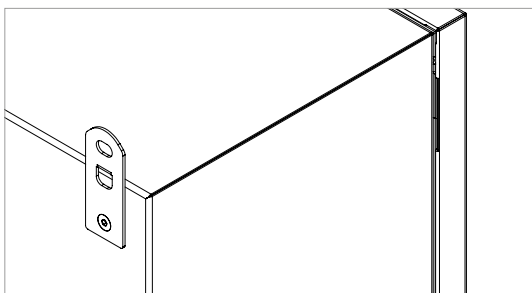
For boxes wall mounting it is necessary to use the CACPNO13 art. consisting of 4 stainless steel flat brackets and screws.

The 4 holes on the rear side of the box are M6 threaded, blind and 8 mm deep.

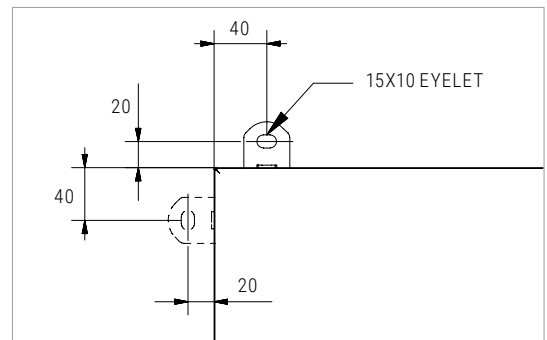
The CACPNO13 kit is suitable for all sizes of boxes.



BOX REAR DETAIL WITH HORIZONTAL BRACKET



BOX REAR DETAIL WITH VERTICAL BRACKET



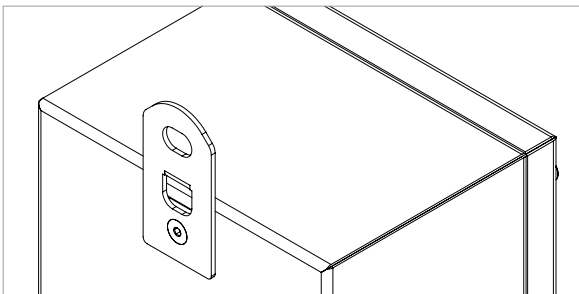
Please note: brackets in vertical position not applicable with rain roof on top.

WALL MOUNTING KIT FOR BOXES

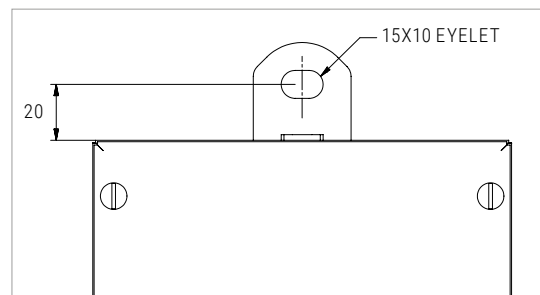
SDN SPN CDN

For wall mounting of boxes and push-buttons it is necessary to use the CASDN013 item consisting of two stainless steel flat brackets and screws.

The CASDN013 kit is suitable for all sizes of SDN, SPN and CDN, except for SDN303415, SDN304015, CDN252512, CDN254012, CDN303015 and CDN304015 models for which No. 4 wall mounting brackets are needed, so you need to order n° 2 pieces of the CASDN013 art.



BOX REAR DETAIL WITH BRACKET



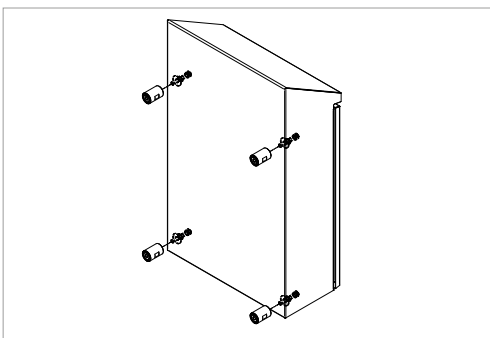
WALL MOUNTING KIT FOR HYGIENIC BOXES

CHD

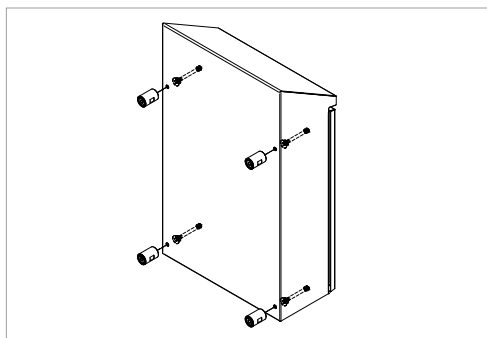
For wall mounting of CHD boxes it is necessary to use the CACHD013 art. consisting of 4 stainless steel spacers and screws. (both short and long screws)

The CACHD013 kit is suitable for all sizes of Hygienic boxes.

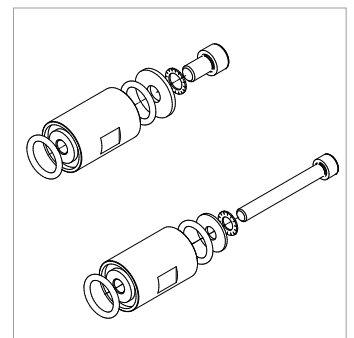
Drilling borne by the customer (drilling pattern will be supplied).



REAR FASTENING DETAIL WITH SHORT SCREW



REAR FASTENING DETAIL WITH THROUGH SCREW





WIRING PLATE

WIRING PLATE FOR BOXES (OPTIONAL)

SDN **SPN**

Galvanized sheet metal wiring plate.

For features and dimensions see drawings on pages 14-17 in the sections dedicated to SDN series boxes and SPN series push buttons.



Code	Description
PDFN1016	WIRING PLATE 100x160
PDFN1022	WIRING PLATE 100x220
PDFN1516	WIRING PLATE 150x160
PDFN1522	WIRING PLATE 150x220
PDFN1528	WIRING PLATE 150x280
PDFN2022	WIRING PLATE 200x220

Code	Description
PDFN2028	WIRING PLATE 200x280
PDFN2528	WIRING PLATE 250x280
PDFN2534	WIRING PLATE 250x340
PDFN3034	WIRING PLATE 300x340
PDFN3040	WIRING PLATE 300x400
PDFN4040	WIRING PLATE 400x400

WIRING PLATE FOR SMALL DIMENSIONS BOXES (OPTIONAL)

CDN

Galvanized sheet metal wiring plate.

For features and dimensions see drawings on pages 12-13 in the sections dedicated to small dimensions boxes CDN series .



Code	Description
PCDN2020	WIRING PLATE 170x175
PCDN2030	WIRING PLATE 170x275
PCDN2040	WIRING PLATE 170x375
PCDN2525	WIRING PLATE 220x225

Code	Description
PCDN2530	WIRING PLATE 220x275
PCDN2540	WIRING PLATE 220x375
PCDN3030	WIRING PLATE 220x275
PCDN3040	WIRING PLATE 220x375

INCREASED WIRING PLATE FOR CHD BOXES (H +100MM)



Galvanized sheet metal wiring plate.

INCREASED WIRING PLATE VERSION TO REPLACE THE STANDARD PLATE

Code	Description
CHPF2530M_S	INCREASED WIRING PLATE DIM. 190X366
CHPF3838M_S	INCREASED WIRING PLATE DIM. 323x446
CHPF3860M_S	INCREASED WIRING PLATE DIM. 323x666
CHPF4545M_S	INCREASED WIRING PLATE DIM. 393x516
CHPF4545M_S	INCREASED WIRING PLATE DIM. 393x666
CHPF6060M_S	INCREASED WIRING PLATE DIM. 546x666
CHPF6045M_S	INCREASED WIRING PLATE DIM. 566x493
CHPF6060M_S	INCREASED WIRING PLATE DIM. 543x666
CHPF8060M_S	INCREASED WIRING PLATE DIM. 743x666
CHPF8080M_S	INCREASED WIRING PLATE DIM. 743x866
CHPF80100M_S	INCREASED WIRING PLATE DIM. 743x1066
CHPF80120M_S	INCREASED WIRING PLATE DIM. 743x1266

INCREASED WIRING PLATE VERSION (SPARE PART)

Code	Description
CHPF2530M	INCREASED WIRING PLATE DIM. 190X366
CHPF3838M	INCREASED WIRING PLATE DIM. 323x446
CHPF3860M	INCREASED WIRING PLATE DIM. 323x666
CHPF4545M	INCREASED WIRING PLATE DIM. 393x516
CHPF4560M	INCREASED WIRING PLATE DIM. 393x666
CHPF6060M	INCREASED WIRING PLATE DIM. 546x666
CHPF6045M	INCREASED WIRING PLATE DIM. 566x493
CHPF6060M	INCREASED WIRING PLATE DIM. 543x666
CHPF8060M	INCREASED WIRING PLATE DIM. 743x666
CHPF8080M	INCREASED WIRING PLATE DIM. 743x866
CHPF80100M	INCREASED WIRING PLATE DIM. 743x1066
CHPF80120M	INCREASED WIRING PLATE DIM. 743x1266

ACCESSORIES

OVERDOOR IN TRANSPARENT POLYCARBONATE

CPN

Transparent doors made of AISI 304L (Wnr 1.4307) stainless steel with a Scotch-brite type fine satin finish.

They are used for protecting with an IP66 protection level drillings or instruments.

The transparent shock-resistant polycarbonate panel let you see the devices mounted under overdoor.

Overdoor opening is reversible and it can be 90° or 180°, depending on the application.

It is supplied in an assembly kit with template for drilling on site or pre-assembled on request.

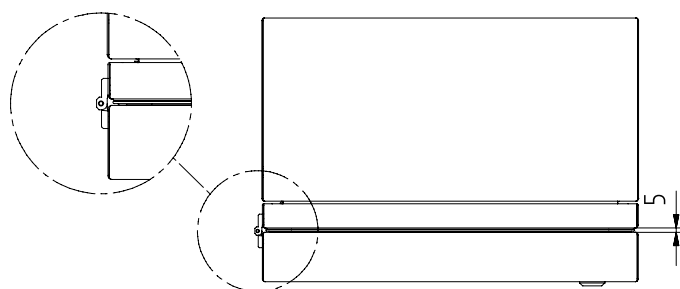
They can be mounted on CPN boxes or on any product with a big enough surface in order to ensure the fixing.



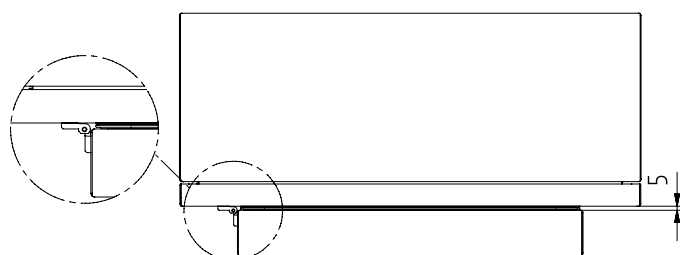
Code	Code	Closing points No.
SVPN30306U	OVERDOOR W=300 H=300 D=60	1
SVPN30386U	OVERDOOR W=300 H=380 D=60	1
SVPN30456U	OVERDOOR W=300 H=450 D=60	2
SVPN38306U	OVERDOOR W=380 H=300 D=60	1
SVPN38386U	OVERDOOR W=380 H=380 D=60	1
SVPN38606U	OVERDOOR W=380 H=600 D=60	2
SVPN40506U	OVERDOOR W=400 H=500 D=60	2
SVPN45306U	OVERDOOR W=450 H=300 D=60	1
SVPN45456U	OVERDOOR W=450 H=450 D=60	2
SVPN45606U	OVERDOOR W=450 H=600 D=60	2
SVPN50706U	OVERDOOR W=500 H=700 D=60	2
SVPN60386U	OVERDOOR W=600 H=380 D=60	1
SVPN60456U	OVERDOOR W=600 H=450 D=60	2
SVPN60606U	OVERDOOR W=600 H=600 D=60	2
SVPN60756U	OVERDOOR W=600 H=750 D=60	2
SVPN60906U***	OVERDOOR W=600 H=900 D=60	2
SVPN601206U***	OVERDOOR W=600 H=1200 D=60	2
SVPN75756U***	OVERDOOR W=750 H=750 D=60	2
SVPN751006U***	OVERDOOR W=750 H=1000 D=60	2
SVPN801206U***	OVERDOOR W=800 H=1200 D=60	2
SVPN90606U***	OVERDOOR W=900 H=600 D=60	2

1. Models front view ***

HINGES MOUNTING WITH 180° PROTECTION WINDOW OPENING

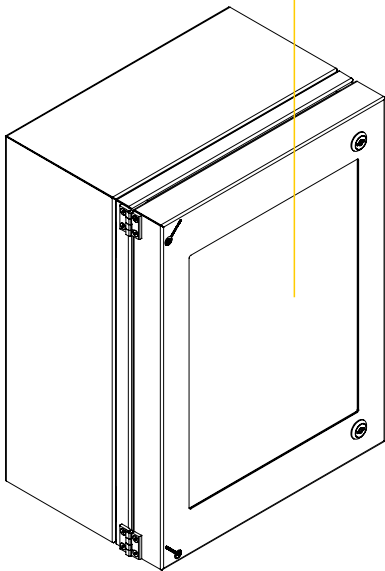


HINGES MOUNTING WITH 90° PROTECTION WINDOW OPENING

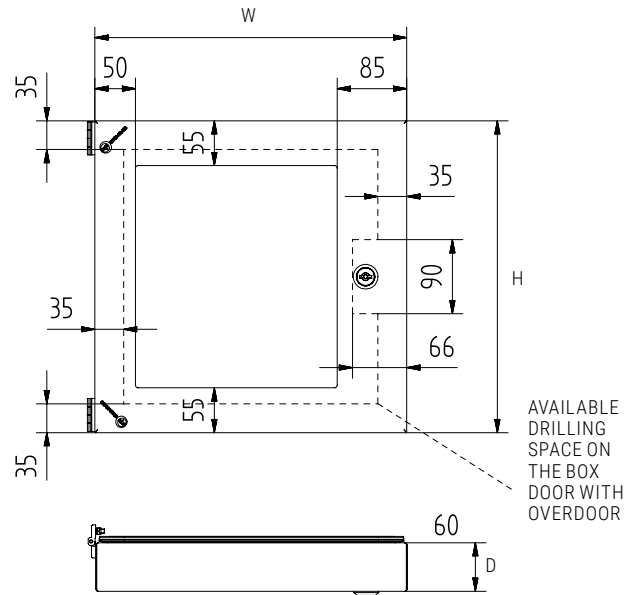


ACCESSORIES

TRANSPARENT POLYCARBONATE PANEL



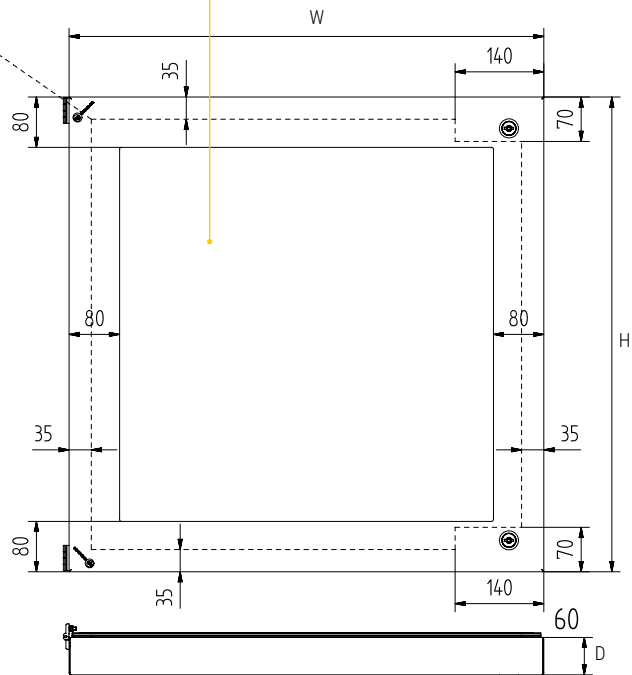
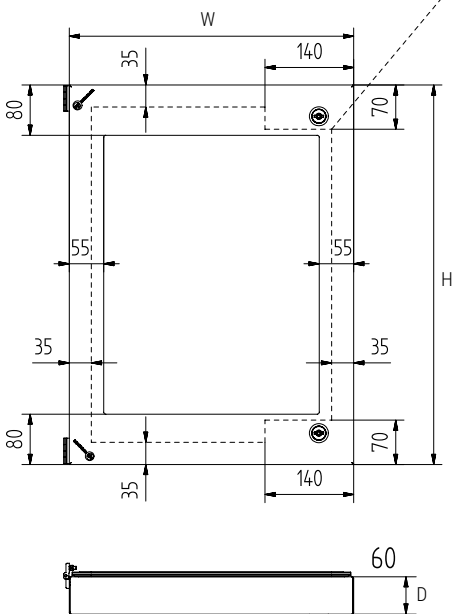
VERSION WITH 1 CLOSING POINTS



VERSION WITH 2 CLOSING POINTS

AVAILABLE DRILLING SPACE ON THE BOX DOOR WITH OVERDOOR

1. MODELS FRONT VIEW ***



ACCESSORIES

INNERDOOR KIT

CPN CLN

Hinged internal doors made of AISI 304L (Wnr 1.4307) stainless steel satin finish Scotch-Brite type.

They can be fixed internally at variable distances from 40 mm to 50 mm from the external door (other fixing depth on request).

The locks are at 1/4 turn with a slotted screwdriver insert. Drillings to drawing can be requested as well as drillings on the blind external door.

The opening direction can be reversed (reversible door) in relation to the external door.

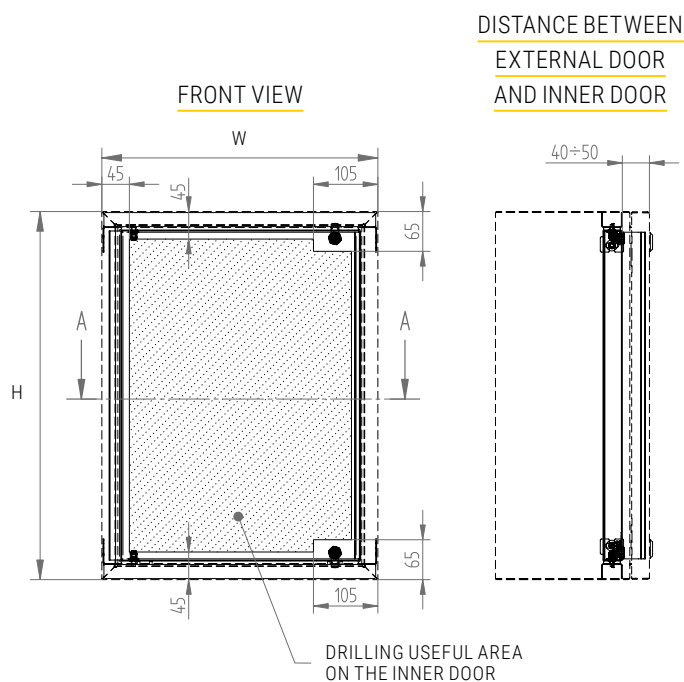
The maximum weight to be applied to the internal door varies in function of the size, but it is not recommended to exceed 20 kg.

They are supplied in assembly kit or pre-assembled (on request).

Attention: always specify in the order if the box has to be prepared for the inner door kit so to add some mounting stud bolts.



Code	Description
KCPN3030	INNERDOOR KIT FOR BOX W=300 H=300
KCPN3038	INNERDOOR KIT FOR BOX W=300 H=380
KCPN3045	INNERDOOR KIT FOR BOX W=300 H=450
KCPN3830	INNERDOOR KIT FOR BOX W=380 H=300
KCPN3838	INNERDOOR KIT FOR BOX W=380 H=380
KCPN3860	INNERDOOR KIT FOR BOX W=380 H=600
KCPN4050	INNERDOOR KIT FOR BOX W=400 H=500
KCPN4530	INNERDOOR KIT FOR BOX W=450 H=300
KCPN4545	INNERDOOR KIT FOR BOX W=450 H=450
KCPN4560	INNERDOOR KIT FOR BOX W=450 H=600
KCPN5070	INNERDOOR KIT FOR BOX W=500 H=700
KCPN6038	INNERDOOR KIT FOR BOX W=600 H=380
KCPN6045	INNERDOOR KIT FOR BOX W=600 H=450
KCPN6060	INNERDOOR KIT FOR BOX W=600 H=600
KCPN6075	INNERDOOR KIT FOR BOX W=600 H=750
KCPN6090	INNERDOOR KIT FOR BOX W=600 H=900
KCPN60120	INNERDOOR KIT FOR BOX W=600 H=1200
KCPN7575	INNERDOOR KIT FOR BOX W=750 H=750
KCPN75100	INNERDOOR KIT FOR BOX W=750 H=1000
KCPN80120	INNERDOOR KIT FOR BOX W=800 H=1200
KCPN9060	INNERDOOR KIT FOR BOX W=900 H=600



LOCKS AND KEYS
CPN CLN CHD

Keys and locks commonly used for CPN,CLN and CHD boxes.

Locks and keys with any kind of insert, with ciphering or custom-made can be supplied upon request.



Code	Description
ACC016	STEEL TWIN COMB LOCK STAINLESS STEEL 304L (without key)
ACC016_Q	PANEL INSERT LOCK 8 mm MADE OF STAINLESS STEEL 304L (with key)
ACC016_T	TRIANGLE INSERT LOCK 8 mm MADE OF STAINLESS STEEL 304L (with key)
ACC016_IG	LOCK FOR HYGIENE STANDARDS MADE OF STAINLESS STEEL 316L (with key)
ACC017_1	WING LOCK WITH CIPHERED KEY EK333
ACC017_1_C	CHROMIUM-PLATED WING LOCK WITH CIPHERED KEY EK333
ACC018	BLACK ZAMAK TWIN COMB KEY
ACC020	T-SHAPED POLYAMMIDE HANDLE GH=18 mm WITH CIPHERED KEY EK333



ACC016



ACC017_1



ACC016_Q



ACC017_1_C



ACC016_T



ACC018



ACC020



ACC016_IG



ACCESSORIES

RAIN ROOF

CPN CLN

Roofs made of AISI 304L (Wnr 1.4307) stainless steel satin finish Scotch-Brite type. They are used to protect boxes exposed to frequent washing or in areas that require frequent cleaning.

They are supplied in assembly kit with the corresponding template for drilling on site or pre-assembled on request. In order to assembly the roof on site 4 holes of 8 mm diameter have to be drilled on the upper side.



“STANDARD” RAIN ROOF

CPN CLN

They are used to protect boxes exposed to atmospheric agents protecting the seals from aging and the surface of the box from direct sunlight.

They have a small slanted edge on all sides and protrude of 25 mm on the front and on the sides, while the back is flush with the box to allow wall fixing. (Wall fixing brackets to be mounted only horizontally)

They can be mounted on any product where there is a large enough area to allow the fixing.



Code	Description
TTPN3021	RAIN ROOF FOR CPN/CLN W=300 D=210
TTPN3821	RAIN ROOF FOR CPN/CLN W=380 D=210
TTPN4021	RAIN ROOF FOR CPN/CLN W=400 D=210
TTPN4521	RAIN ROOF FOR CPN/CLN W=450 D=210
TTPN4525	RAIN ROOF FOR CPN/CLN W=450 D=250
TTPN5025	RAIN ROOF FOR CPN/CLN W=500 D=250
TTPN6021	RAIN ROOF FOR CPN/CLN W=600 D=210
TTPN6025	RAIN ROOF FOR CPN/CLN W=600 D=250
TTPN6030	RAIN ROOF FOR CPN/CLN W=600 D=300
TTPN7530	RAIN ROOF FOR CPN/CLN W=750 D=300
TTPN8030	RAIN ROOF FOR CPN/CLN W=800 D=300
TTPN9030	RAIN ROOF FOR CPN/CLN W=900 D=300
TTPN10030	RAIN ROOF FOR CPN/CLN W=1000 D=300
TTPN12030	RAIN ROOF FOR CPN/CLN W=1200 D=300

“VIP” RAIN ROOF

CPN CLN

They are used to protect boxes exposed to atmospheric agents protecting the seals from aging and the surface of the box from direct sunlight. Contoured design and inclined towards the rear; the protrusion is 35 mm on the front, 10 mm on the sides, while the back is flush with the box to allow wall mounting. They are supplied in assembly kit with the corresponding template for drilling on site or pre-assembled on request. (Wall fixing brackets CACPN013 to be mounted only horizontally)

Code	Description
TTPN3021V	RAIN ROOF FOR CPN/CLN W=300 D=210
TTPN3821V	RAIN ROOF FOR CPN/CLN W=380 D=210
TTPN4021V	RAIN ROOF FOR CPN/CLN W=400 D=210
TTPN4521V	RAIN ROOF FOR CPN/CLN W=450 D=210
TTPN4525V	RAIN ROOF FOR CPN/CLN W=450 D=250
TTPN5025V	RAIN ROOF FOR CPN/CLN W=500 D=250
TTPN6021V	RAIN ROOF FOR CPN/CLN W=600 D=210
TTPN6025V	RAIN ROOF FOR CPN/CLN W=600 D=250
TTPN6030V	RAIN ROOF FOR CPN/CLN W=600 D=300
TTPN7530V	RAIN ROOF FOR CPN/CLN W=750 D=300
TTPN8030V	RAIN ROOF FOR CPN/CLN W=800 D=300
TTPN9030V	RAIN ROOF FOR CPN/CLN W=900 D=300
TTPN10030V	RAIN ROOF FOR CPN/CLN W=1000 D=300
TTPN12030V	RAIN ROOF FOR CPN/CLN W=1200 D=300



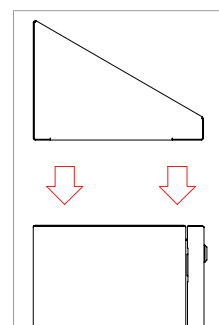
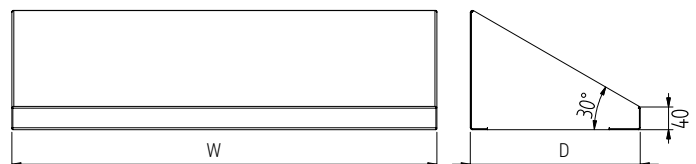
ACCESSORIES

“SANITARY” RAIN ROOF

CPN CLN

They are used to protect boxes exposed to frequent washing, protecting the seals from aging and preventing dirt deposits. It is inclined at 30° towards the front and prevents objects to be placed upon. (Possible assembly of wall fixing brackets CACPN013 only horizontally)

Code	Description
TTPN3021H	RAIN ROOF FOR CPN/CLN W=300 D=210
TTPN3821H	RAIN ROOF FOR CPN/CLN W=380 D=210
TTPN4021H	RAIN ROOF FOR CPN/CLN W=400 D=210
TTPN4521H	RAIN ROOF FOR CPN/CLN W=450 D=210
TTPN4525H	RAIN ROOF FOR CPN/CLN W=450 D=250
TTPN5025H	RAIN ROOF FOR CPN/CLN W=500 D=250
TTPN6021H	RAIN ROOF FOR CPN/CLN W=600 D=210
TTPN6025H	RAIN ROOF FOR CPN/CLN W=600 D=250
TTPN6030H	RAIN ROOF FOR CPN/CLN W=600 D=300
TTPN7530H	RAIN ROOF FOR CPN/CLN W=750 D=300
TTPN8030H	RAIN ROOF FOR CPN/CLN W=800 D=300
TTPN9030H	RAIN ROOF FOR CPN/CLN W=900 D=300
TTPN10030H	RAIN ROOF FOR CPN/CLN W=1000 D=300
TTPN12030H	RAIN ROOF FOR CPN/CLN W=1200 D=300



ACCESSORIES

WATERTIGHT FLANGES FOR BOXES

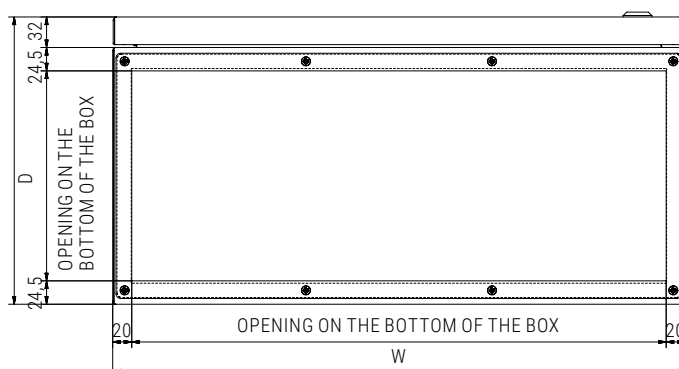
CPN CLN

The flanges of the series are mainly designed to be positioned in the lower part of the box, on any side and of any size compatible to the geometry of box. They are supplied with a sealing gasket and screws for mounting.

They occupy the largest possible area without influencing the degree of protection and the robustness of the box; the flange must be ordered together with the box as the cut-out and blind threaded holes for assembly are made on the box in the factory.



Code	Description
ACPN054_3021	FLANGE FOR CPN/CLN BOX W=300 D=210
ACPN054_3821	FLANGE FOR CPN/CLN BOX W=380 D=210
ACPN054_4021	FLANGE FOR CPN/CLN BOX W=400 D=210
ACPN054_4521	FLANGE FOR CPN/CLN BOX W=450 D=210
ACPN054_4525	FLANGE FOR CPN/CLN BOX W=450 D=250
ACPN054_5025	FLANGE FOR CPN/CLN BOX W=500 D=250
ACPN054_6021	FLANGE FOR CPN/CLN BOX W=600 D=210
ACPN054_6025	FLANGE FOR CPN/CLN BOX W=600 D=250
ACPN054_6030	FLANGE FOR CPN/CLN BOX W=600 D=300
ACPN054_7530	FLANGE FOR CPN/CLN BOX W=750 D=300
ACPN054_8030	FLANGE FOR CPN/CLN BOX W=800 D=300
ACPN054_9030	FLANGE FOR CPN/CLN BOX W=900 D=300
ACPN054_10030	FLANGE FOR CPN/CLN BOX W=1000 D=300
ACPN054_12030	FLANGE FOR CPN/CLN BOX W=1200 D=300



OPEN DOOR LOCKING DEVICE

CPN CLN

Device that locks the door of boxes series in the open position and prevents accidental closing.

It can be supplied in an assembly kit or pre-assembled upon request.

Assembly on site might require holes or the application of electro-welded studs bolts.



Code	Description
ACC048_CPN	OPEN DOOR LOCK FOR BOXES CPN/CLN

GAS SPRINGS KIT

CPN CLN

Gas springs kit provided with screw and accessories for the mounting of various strengths and dimensions.

They can be mounted on CPN series, on some models of CLN boxes and for special applications.

It is recommended to carry out the assembly in the factory and always to inform our technical department about the types and methods of use and application.



Code	Description
ACC070_100_C_CPN	KIT OF A PAIR OF SHORT GAS SPRINGS F=100N EACH WITH ACCESSORIES AND ASSEMBLY
ACC070_200_C_CPN	KIT OF A PAIR OF SHORT GAS SPRINGS F=200N EACH WITH ACCESSORIES AND ASSEMBLY
ACC070_300_C_CPN	KIT OF A PAIR OF SHORT GAS SPRINGS F=300N EACH WITH ACCESSORIES AND ASSEMBLY
ACC070_400_C_CPN	KIT OF A PAIR OF SHORT GAS SPRINGS F=400N EACH WITH ACCESSORIES AND ASSEMBLY

Code	Description
ACC070_200_L_CPN	KIT OF A PAIR OF LONG GAS SPRINGS F=200N EACH WITH ACCESSORIES AND ASSEMBLY
ACC070_300_L_CPN	KIT OF A PAIR OF LONG GAS SPRINGS F=300N EACH WITH ACCESSORIES AND ASSEMBLY
ACC070_400_L_CPN	KIT OF A PAIR OF LONG GAS SPRINGS F=400N EACH WITH ACCESSORIES AND ASSEMBLY
ACC070_600_L_CPN	KIT OF A PAIR OF LONG GAS SPRINGS F=600N EACH WITH ACCESSORIES AND ASSEMBLY

PAIR OF DIN BAR SUPPORTING BRACKETS

CPN CLN

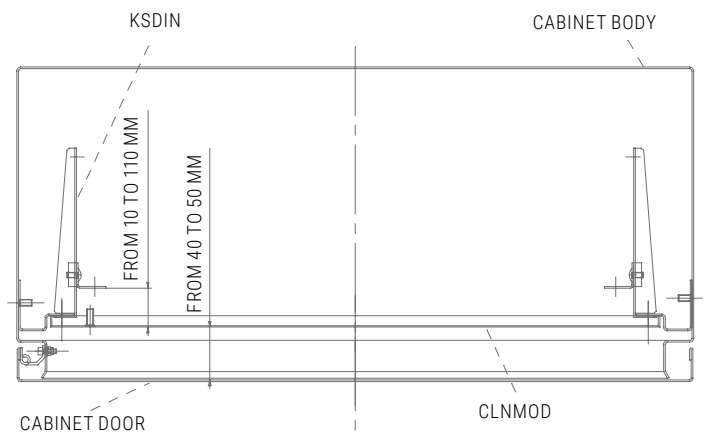
Pair of depth adjustable brackets made of AISI 304L (Wnr 1.4307) stainless steel for modular switches fixing.

It is recommended the use of a pair of brackets for each slotted row of the frame kit for modular switches.

Supplied in an assembly kit.



Code	Description
KSDIN	PAIR OF DIN BAR SUPPORTING BRACKETS WITH ACCESSORIES FOR ADJUSTABLE BRACKETS AND STAINLESS STEEL SCREWS



CABINET SECTION VIEW WITH ACCESSORIES



ACCESSORIES

INTERNAL CONFIGURATION KIT FOR BOXES FOR MODULAR SWITCH PANELS

CPN CLN

Kit for configuring CPN and CLN boxes series in order to house inside batteries of modular switches.

All components of the kit are made of AISI 304L (Wnr 1.4307) stainless steel satin finish Scotch-Brite type.

The assembly is foreseen on 9 different sized boxes, and the capacity is from 30 to 266 modules.

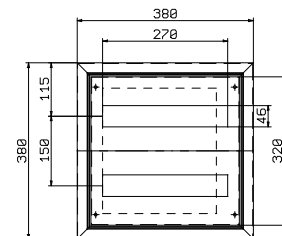
The frame is designed to fix the KSDIN item (pair of depth sliding DIN bar supporting brackets) that has to be ordered separately in the same number of rows you wish to use.

The slotted panels (or blind panels on request) are screwed to the frame.

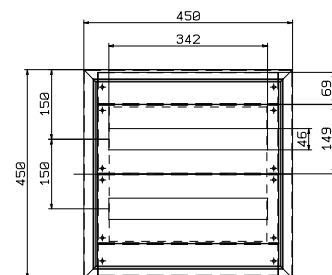
The supply is in an assembly kit or on request pre-assembled on the box.

Attention: always specify in the order if the box has to be prepared for "modular switches".

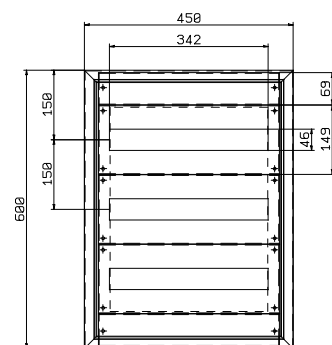
Code	Description
CLNMOD3838	MODULAR PANELS CONFIGURATION FOR CPN/CLN W=380 H=380
CLNMOD4545	MODULAR PANELS CONFIGURATION FOR CPN/CLN W=450 H=450
CLNMOD4560	MODULAR PANELS CONFIGURATION FOR CPN/CLN W=450 H=600
CLNMOD6060	MODULAR PANELS CONFIGURATION FOR CPN/CLN W=600 H=600
CLNMOD6075	MODULAR PANELS CONFIGURATION FOR CPN/CLN W=600 H=750
CLNMOD6090	MODULAR PANELS CONFIGURATION FOR CPN/CLN W=600 H=900
CLNMOD60120	MODULAR PANELS CONFIGURATION FOR CPN/CLN W=600 H=1200
CLNMOD75100	MODULAR PANELS CONFIGURATION FOR CPN/CLN W=750 H=1000
CLNMOD80120	MODULAR PANELS CONFIGURATION FOR CPN/CLN W=800 H=1200



CLNMOD3838
30 MODULES

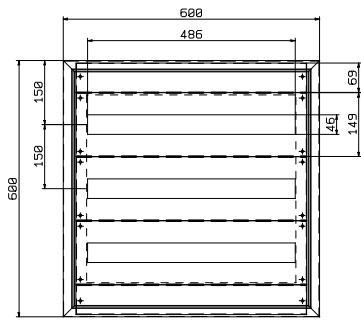


CLNMOD4545
38 MODULES

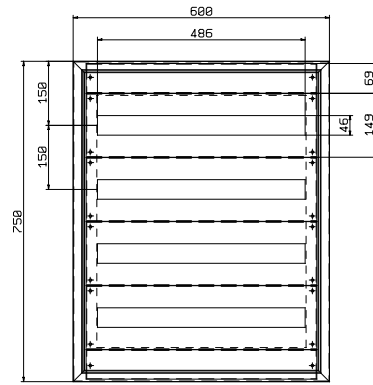


CLNMOD4560
57 MODULES

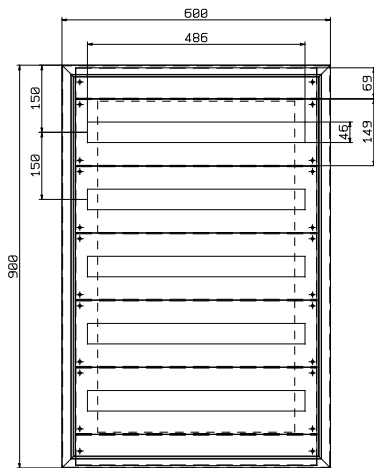
ACCESSORIES



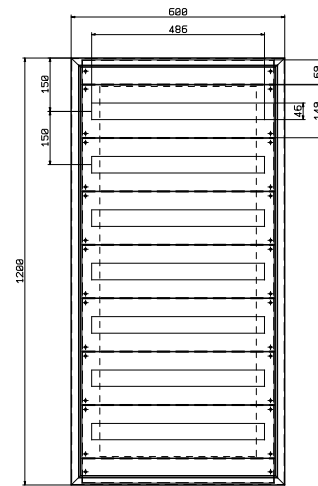
CLNMOD6060
81 MODULES



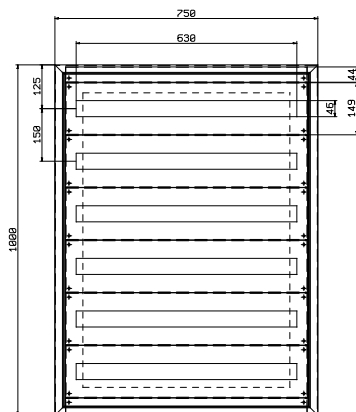
CLNMOD6075
108 MODULES



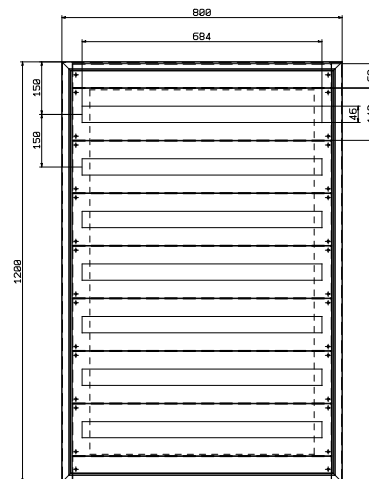
CLNMOD6090
135 MODULES



CLNMOD60120
189 MODULES



CLNMOD75100
210 MODULES



CLNMOD80120
266 MODULES

ACCESSORIES

CONDUCTIVE SEALS

CPN CLN

Suited to manufacture boxes and special cabinets where there is the need to reduce the effects of electromagnetic waves.

They are available in both the fitted version (to be mounted on a straight sheet metal edge) and the adhesive one.



Code	Description
ACC027_1	EMC SEAL COVERED WITH SATMET FABRIC (EURO/METRE, FITTED)
ACC027_2	10x4 ADHESIVE SEAL COVERED WITH SATMET FABRIC (EURO/METRE)

DIAGRAM POCKET

CPN CLN CHD

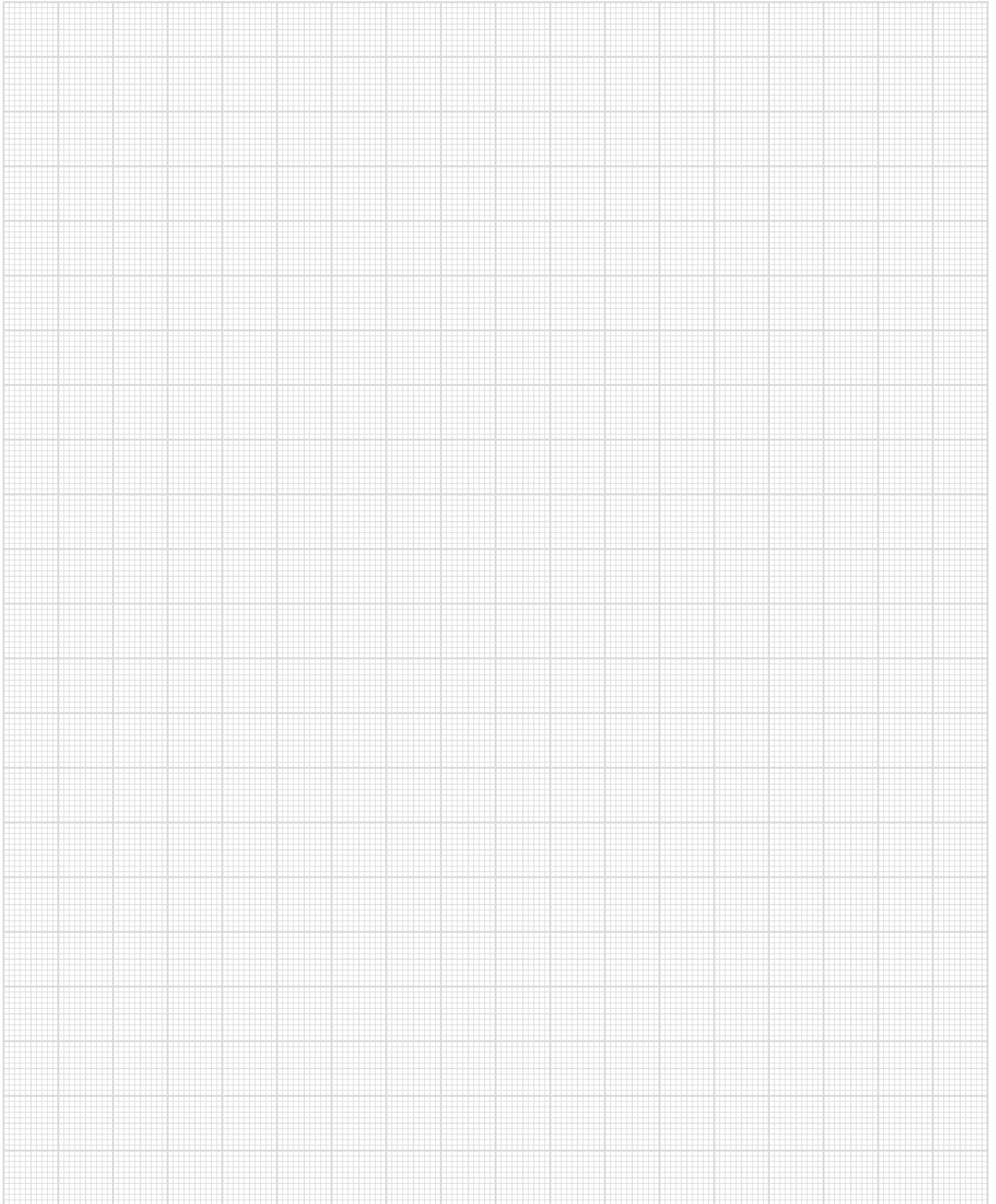
Made of self-adhesive orange plastic for A4-size diagrams.



Code	Description
ACC028	LARGE DIAGRAM POCKET (260x240x30)



NOTES



ACCESSORIES/PRODUCTS TABLE



CPN CLN

WALL MOUNTING KIT FOR BOXES

P 18



SDN SPN CDN

WALL MOUNTING KIT FOR BOXES

P 19



CHD

WALL MOUNTING KIT FOR HYGIENIC BOXES

P 19



SDN SPN CDN CHD

WIRING PLATE

P 20



CPN

OVERDOOR IN TRANSPARENT
POLYCARBONATE

P 22



CPN CLN

INNERDOOR KIT

P 24



CPN CLN CHD

LOCKS AND KEYS

P 25



CPN CLN

"STANDARD" RAIN ROOF

P 26



CPN CLN

"VIP" RAIN ROOF

P 27



CPN CLN

"SANITARY" RAIN ROOF

P 27



CPN CLN

WATERTIGHT FLANGES FOR BOXES

P 28



CPN CLN

OPEN DOOR LOCKING DEVICE

P 28



CPN CLN

GAS SPRINGS KIT

P 29



CPN CLN

PAIR OF DIN BAR SUPPORTING BRACKETS

P 29



CPN CLN

INTERNAL CONFIGURATION KIT FOR
BOXES FOR MODULAR SWITCH PANELS

P 30



CPN CLN

CONDUCTIVE SEALS

P 32



CPN CLN CHD

DIAGRAM POCKET

P 32

**ACCESSORIES
PRODUCTS
TABLE**

MPGAMMA S.R.L.

Via Cisa Ligure, 43/A
42041 Brescello (RE) - Italia
Tel: +39 0522 686079
Fax: +39 0522 962185
info@mpgamma.com

www.mpgamma.com